

naxa

FULL FOLD DOWN DETACHABLE PLL ELECTRONIC TUNING AM/FM
STEREO RADIO WITH MP3/CD PLAYER USB INPUT, SD/MMC
CARD SLOT & REMOTE CONTROL



NCA-667

OPERATION MANUAL

TABLE OF CONTENTS

Thank you for purchase our product!

Please read through this operation manual before install or operate the unit and keep this manual carefully for future reference after you finished reading.

Installations	
Precautions & Preparation	02
DIN Front-Mount (Method A)	02 - 03
DIN Rear-Mount (Method B)	03
Additional Informations	
Wire Connection Diagram	04
Using The Detachable Front Panel	05
General Operations	
Control Locations	06
General Operations	07 - 08
Radio & CD Operations	
Radio Operations	09 - 10
CD Operations	11
USB, SD/MMC Operations	12
AUX IN Operations	13
MP3 Operations	14
Control Location - Remote Handset	15
Remote Control Operations	
Replacing Battery	16
Before Playing Discs	17
Specifications	18
Troubleshooting	19

INSTALLATION

PRECAUTIONS & PREPARATION

Choose the mounting location where the unit will not interfere with the normal driving function of the driver;

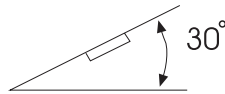
Before finally install the unit, connect the wiring and make sure it is all connected up properly, and the unit & the system work properly.

Use only the parts included with the unit to ensure proper installation. The use of unauthorized parts can cause malfunctions.

Consult with your nearest dealer if installation requires the drill of holes or other modifications of the vehicle.

Install the unit where it does not get in the driver's way and cannot injure the passenger if there is a sudden stop, like an emergency stop or excessive brake is applied.

If installed angle exceeds 30 degrees from horizontal, the unit might not give its optimum performance.



Avoid installing the unit where it would be subject to high temperature such as direct sunlight, hot air, heater or where it would be subject to dust, dirt or excessive vibration.

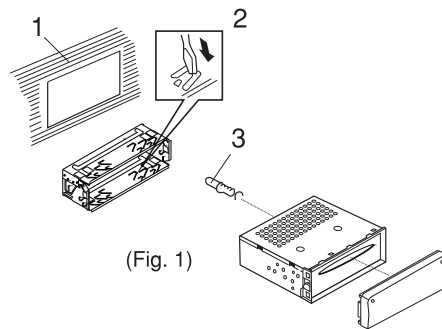
DIN FRONT-MOUNTING METHOD (Method A)

Installing the unit

1. Dashboard
2. Holder

After inserting the holder into the dashboard, select the appropriate tab according to the thickness of the dashboard material and bend them inwards to secure the holder in place.

3. Screw



(Fig. 1)

TROUBLESHOOTING

Before going through the check list, check wiring connection. If any of the problems persist after checklist has been made, consult your nearest service dealer.

Symptom	Causes	Solution
No Power	The car ignition key has not been switched on	If the power supply is properly connected to the car accessory terminal, switch the ignition key to ACC.
	The fuse is blown	Replace a new fuse
CD Cannot Load or Eject	A CD is already inside the player slot	Remove the CD from the player and insert the new one
	Inserting the CD in reverse direction	Insert the CD with the label facing up
	The CD is extremely dirty or defected	Clean the CD or try to play a new one
	Temperature inside the car is too high	Cool off until the ambient temperature return to normal
	Condensation	Leave the player off for an hour or so and try again
No Sound	Volume is at minimum	Adjust volume to desired level
	Wiring is not properly connected	Check wiring connection
Sound Skipping	The installation angle is more than 30°	Adjust the installation angle to less than 30°
	CD is extremely dirty or defected	Clean the CD or try to play a new one
The Operation Keys Do Not Work	The built-in microcomputer is not operating properly due to interference	Press the RESET button or reinstall the front panel properly
The Radio or Automatic Selection Does Not Work	The antenna cable is not connected correctly	Connect the antenna cable correctly
	The signals are too weak	Select the station manually

General

Power Supply Requirements: DC 12V, Negative Ground
 Maximum Output Power 25W x 4(CH)
 Chassis Dimensions: 178 x 165 x 50mm (W x D x H)

Tone Controls

Bass (at 100Hz): +10dB / -10dB
 Treble (at 100KHz): +10dB / -10dB
 Current Drain: 10A

CD Player

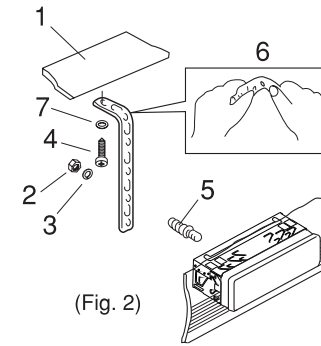
Signal to Noise Ratio: More than 60dB
 Channel Separation: More than 60dB
 Frequency Response: 20Hz - 20KHz

FM Radio

Frequency Coverage (MHz): 87.5 - 108 (Europe)
 87.5 - 107.9 (U.S.A.)
 IF : 10.7MHz
 Sensitivity (S/N=30dB): 12dBu
 Stereo Separation: >30dB

AM Radio

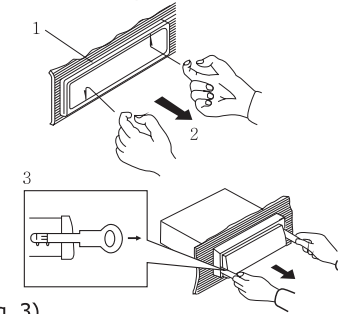
Frequency Coverage (KHz): 522 - 1620 (Europe)
 530 - 1710 (U.S.A.)
 IF : 450KHz
 Sensitivity (S/N=20dB): 32dBu



(Fig. 2)

1. Dashboard
2. Nut (5mm)
3. Plain Washer
4. Screw (5 x 25mm)
5. Screw
6. Strap
Be sure to use the strap to secure the back of the unit in place. The strap can be bent by hand to the desired angle
7. Plain Washer

Removing the unit

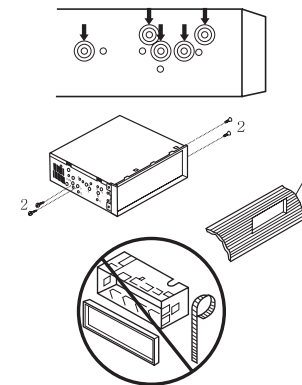


(Fig. 3)

1. Frame
2. Insert fingers into the groove in the front of frame and pull out to remove the frame. (When reattaching the frame, point the side with a groove downwards and attach it.)
3. Lever
Insert the levers supplied with the unit into the grooves at both sides of the unit as shown in figure until they click, pulling the levers makes possible to remove the unit from the dashboard.

DIN REAR-MOUNTING METHOD (Method B)

Installation using the screw holes on the sides of the unit

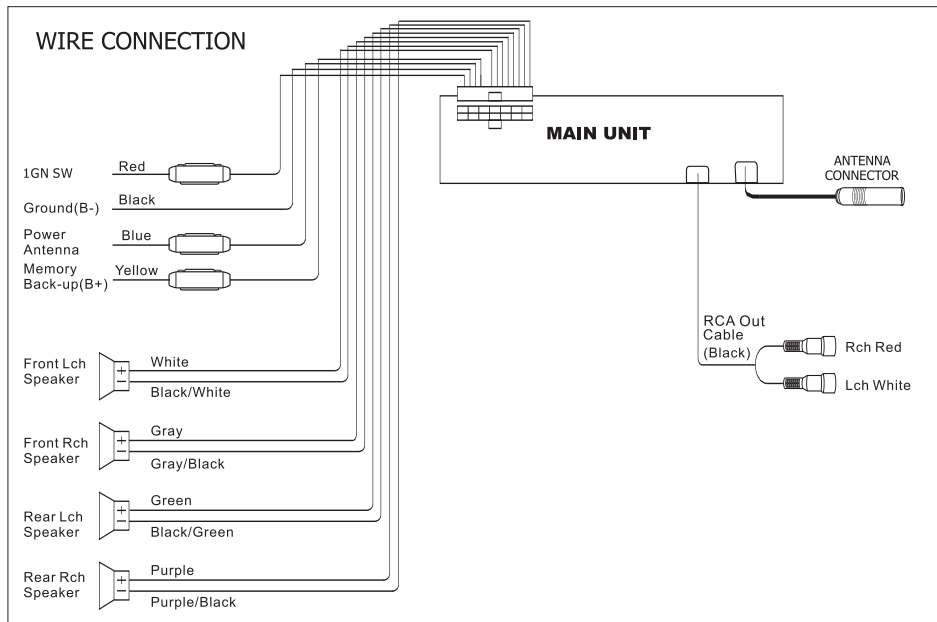


Fastening the unit to the factory radio Mounting bracket:

1. Select a position where the screw holes of the bracket and the screw holes of the main unit become aligned (are fitted), and tighten the screws at 2 places on each side. Use either truss screws (5 x 5 mm) Or flush surface screws (4 x 5 mm),
2. Screw ("T" Position)
3. Dashboard or Console

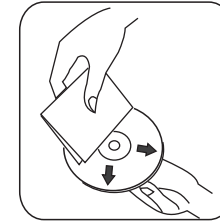
NOTE: The mounting box, outer trim ring, and half-sleeve are not used for method B installation.

WIRING CONNECTION DIAGRAM



Cleaning the CD

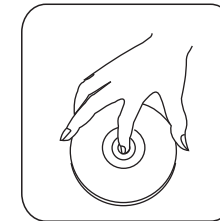
Before playing a CD, wipe it off with a clean, dust-free cleaning cloth. Wipe the disc in the direction of the arrow.



Always insert the CD with the label side facing upwards. If the CD is inserted with the printed side facing downwards, the device may be damaged.



If there is already a CD in the CD slot, do not try to insert a second CD. This may damage the device. Always hold CDs by the edge. In order to keep the CD clean do not touch the surface. Pull out the CD as follows.

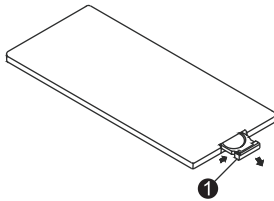


Do not attach any sticker or adhesive tape on the CD. Do not expose the CD to direct sunlight or sources of heating. Do not leave CDs in a car if it parked in direct sunlight as that will lead to a considerable rise in the temperature inside the car. Do not use any solvents such as petrol or thinning agents. Commercially available cleaning substances of antistatic spray will damage the device.

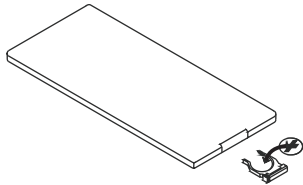
Replacing Battery

When the range of the operation of the card remote control becomes short or non responsive, it is recommended to remove the old battery cell from the remote handset & replace with new battery. Please ensure that placement of the battery polarity before replacement in order for the remote handset to work properly.

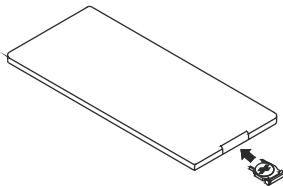
1. Pull out the Battery Holder while pressing the stopper ①.



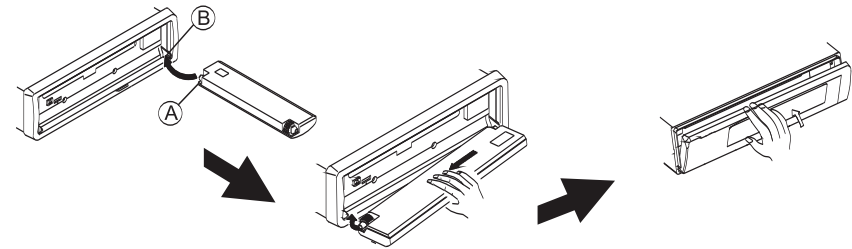
2. Put the button-type battery (+)mark upward into the Battery Holder.



3. Insert the Battery Holder into the Remote Control.

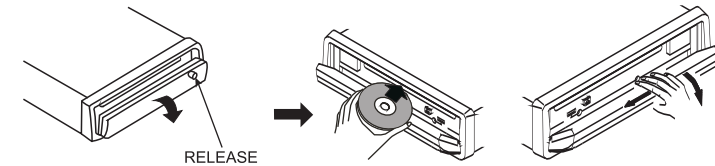


The notch A (shown as picture) should be put onto shaft B. and then slightly press into the left side.



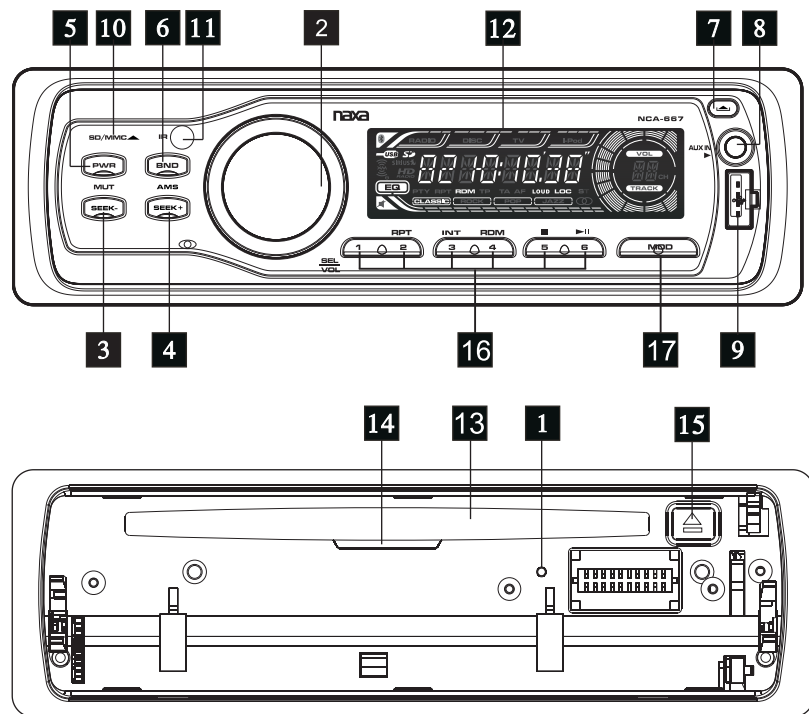
DETACHING & REMOVING THE FRONT PANEL

Press Release button (17) in the upper right corner, the front panel will be folded down. When the front panel is folded down, hold and slide the front panel to right-side, and pulling it out.

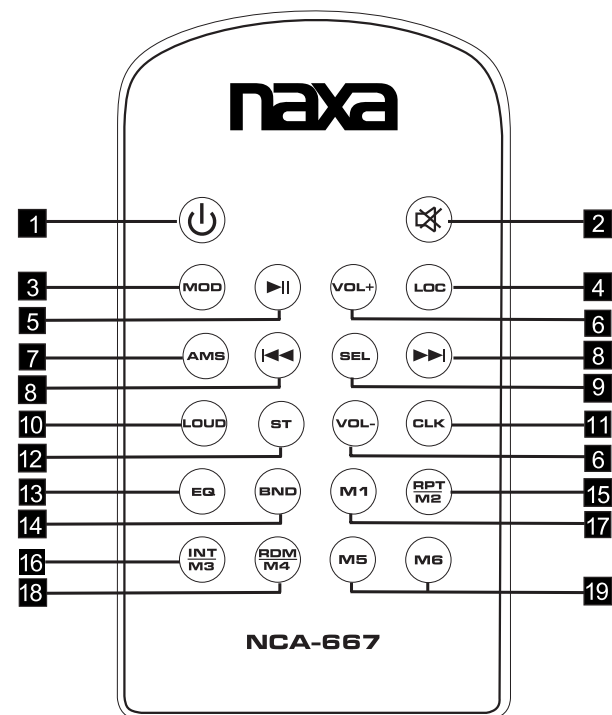


Note: For safekeeping, store the front panel in the supplied protective case immediately after being removed.

CONTROL LOCATIONS



- | | |
|----------------------------------|---------------------------|
| 1. Reset Button | 9. USB Socket |
| 2. Volume /Selecting Menu Button | 10.SD/MMC Socket |
| 3. Tuning/Selecting Track- | 11.Remote Control Sensor |
| 4. Tuning/Selecting Track+ | 12.Liquid Crystal Display |
| 5. Power/ Mute Button | 13.Disc Slot |
| 6. Band/AMS Button | 14.Disc Lamp |
| 7. Release Button | 15.Eject Button |
| 8. AUX IN Socket | 16.Number Button |
| | 17.Mode Button |



- | | |
|---------------------------|----------------------------------|
| 1. Power Button | 10. Loudness Button |
| 2. Mute Button | 11. Time Display & Adjustment |
| 3. Mode Button | 12. Mono/Stereo Selector |
| 4. Loc Button | 13. Equalization Button |
| 5. Pause/Play Playing | 14. Band/ID3 Button |
| 6. Volume Button | 15. Repeat Playing/Number Button |
| 7. AMS/MP3 Button | 16. Intro Button/Number Button |
| 8. Tuning/selecting/FW/RW | 17. (M1) Number Button |
| 9. Setting the sound | 18. Random Playing/Number Button |
| | 19. (M5-M6) Number Button |

Search functions (track search example)

How to search for track number "39", file named WXY.MP3.

1) Press and hold BND button (6) for 3 seconds to go into track search mode, then LCD displays "TRK SCH" then display: "TRK ***".

2) Rotate VOL knob (2) clockwise or anti-clockwise to select 1st digit "3", 2 seconds later, it will display "*" behind number "3", Rotate VOL knob (2) clockwise or anti-clockwise again to select 2nd digit "9".

3) Finally press SEL button (2), then track number "39" will play immediately.

4) Press BND button (6) twice to go into file search mode, and LCD displays "FILE SCH". Then "*" will be display on LCD and blinking, rotate VOL knob (2) clockwise or anti-clockwise to select the desired character (1st letter of desired song name), once the character is selected, the next one "*" will be blinking and for you to select. Similar operation to enter other letters. After enter your song name, press SEL button (2) to start search, if the song was found out, the desired song will be start to play, if no such song, "NO FOUND" will shown on display.

5) Press BND button (6) third time to go into directory search mode, and LCD will displays "DIR SCH". Press SEL button (2) to confirm and select directories, the quantity of total directories will be display on LCD, then rotate VOL Knob (2) clockwise or anti-clockwise to select a directory, press SEL button (2) to enter the selected directory, the quantity of total tracks of this selected directory will display on LCD. then rotate VOL knob (2) to select a track, press SEL button (2) again to confirm and the track start to play.

NOTE: During in searching mode, if the characters or numbers it's not you desired, you can press BND button (6) to clear it and input again.

MP3 and WMA music files are digital audio files that are compressed to allow more files on a single disc. This unit can play MP3 / WMA directly from files contained on a CD-R / RW using the buttons on the receiver as outlined below. Many types of software are available for converting audio files into MP3 / WMA formats. Depending on the media type and recording method, some CD-R / RWs may be incompatible with this unit.

Notes on MP3 / WMA play

This unit can play MP3. however, the MP3 recording media and accepted formats are limited.

Acceptable Media

The MP3 / WMA recording media acceptable to this unit are CD-ROM, CD-R and CD-RW. When using CD-RW, use full format rather than quick format to prevent malfunction.

Electronic Shock Protection for Default Setting

120 seconds for CD recorded at 44.1KHz, 128kbps.

120 seconds for MP3 recorded at 44.1KHz, 128kbps.

120 seconds for WMA recorded at 44.1KHz, 128kbps.

BIT Rates

The unit supports bit rates upto 64kbps.

GENERAL OPERATIONS

RESET BUTTON

RESET button (1) is placed on the housing and must be activated with either a ball point pen or thin metal object. (DO NOT use sharp object to avoid damaging the unit.) The RESET button (1) is to be activated for the following reasons:

- Initial installation of the unit when all wiring is completed.
- All the function buttons do not operate
- Error symbol on the display

NOTE: If the problem continues to persist after pressed RESET button (1), it is recommended to use a cotton swab soaked in isopropyl alcohol to clean pin connector socket on the back of the front panel.

POWER ON/OFF & MODE SELECTOR

Press PWR/MOD button (5) to turn on the unit, when the unit is on:

- 1). Press and hold PWR/MOD button (5) for several seconds to turn off the unit.
- 2). Repeatedly press PWR/MOD button (5) to select radio, disc playing, USB, SD/MMC or AUX IN mode.

Note: When the system is on, insert the SD/MMC card or USB device to the unit, press PWR/MOD button (5) to switch to SD/MMC or USB mode.

FACEPLATE RELEASE

Press Release button (7) to fold down the front panel, then to detach the removable faceplate.

LIQUID CRYSTAL DISPLAY

The LCD screen (12) can show the current working state of the unit.

REMOTE CONTROL SENSOR (OPTIONAL)

Point the remote handset to control the remote sensor (11). Press the function keys on the remote handset to control the system.

VOLUME CONTROL

Rotate VOL knob (2) clockwise or anti-clockwise to increase the sound or decrease the sound level.

PAUSE/PLAY

During USB, SD/MMC or disc playing mode, press and hold SEL button (2) for several seconds to pause the playback, press and hold it for several seconds again, it will resume to playback.

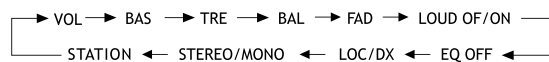
MUTE

During radio or AUX IN mode, press and hold SEL button (2) for several seconds, mute function will be activated. Press and hold it for several seconds again, it will resume to playback.

GENERAL OPERATIONS

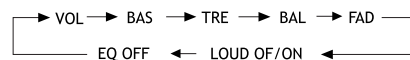
SELECTING MENU

During radio operation, repeatedly press SEL button (2) to select the desired mode in the following order:

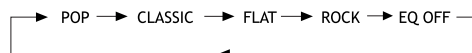


Then, rotate VOL knob (2) clockwise or anti-clockwise to select the desired level, mode or station.

During playing operation, repeatedly press SEL button (2) to select the desired mode in the following order:



When EQ mode is selected, rotate VOL knob (2) clockwise or anti-clockwise to move display as following:



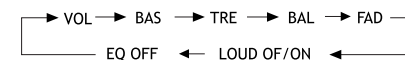
Note: After selected the desired mode, adjust the current level by rotate VOL knob (2) clockwise or anti-clockwise. When mode has not been adjusted for several seconds, display returns to previous display. During EQ function is on, Bass & Treble modes do not available.

AUX IN OPERATION

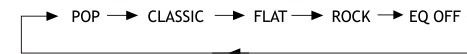
AUX IN: Connect the external device to the AUX IN socket (8), press MOD button (5) to select AUX IN mode.

SELECTING MENU

Repeatedly press SEL button (2) to select between Volume (default), Bass, Treble, Balance, Fader, Loud Off/On and EQ Off mode in following order:



When EQ mode is selected, rotate VOL knob (2) clockwise or anti-clockwise to move display as following:



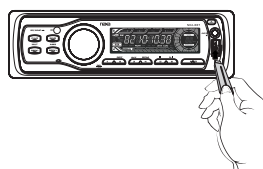
Note: After selected the desired mode, adjust the current level by rotate VOL knob (2) clockwise or anti-clockwise. When mode has not been adjusted for several seconds, display returns to previous display. During EQ function is on, Bass & Treble modes do not available.

During EQ function is on, Bass & Treble modes do not available.

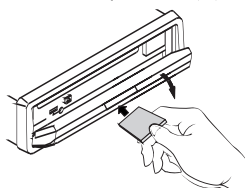
USB, SD/MMC OPERATIONS

To enjoy the audio from the SD/MMC card or USB device, insert the SD/MMC card into the SD/MMC socket (10) or insert the USB device into the the USB socket (9), the system will playing the card contents automatically. Please refer to the picture as following:
Press MOD button (5) to select any desired mode.

Inserting USB method
See the picture (1)



Inserting card method
See the picture (2)



TRACK SELECTION

During playing operation, press SEEK- button (3) or SEEK+ button (4) to move to the previous or next track. Track number shows on the display.

FAST FORWARD AND REVERSE

Press and hold SEEK- button (3) or SEEK+ button (4) for several seconds to fast reverse or fast forward. Track start play when you release the button.

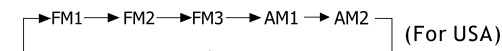
PAUSE PLAYING

Press and hold (Pause/Play) button (2) to pause track playback. "PAUSE" blinking on the LCD. Press and hold it again to resume playback.

RADIO OPERATION

BAND SELECTION

During radio mode, press BND button (6) to select the desired band. Repeatedly press the BND button (6), the reception band will be change in following order:



Note: When playing ID3 music, press BND button (6) to preview the ID3 information.

PREVIEW STATIONS

Press SEL button (2) repeatedly to preview the station which stored in the memory. Then you can rotate VOL knob (2) to select one of desired stored station for listen.

AUTO MEMORY STATION STORING

During radio mode, press and hold AMS button (6) for several seconds to activated AMS function, then, the 6 strongest stations will be stored into the current band of the memory.

SEARCH A STATION AUTOMATICALLY

Press SEEK- button (3) or SEEK+ button (4), the radio will searches a station automatically.

MANUAL & AUTOMATIC TUNING

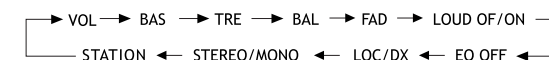
Press and hold SEEK- button (3) or SEEK+ button (4) for several seconds:

If the "MANUAL" appears on LCD, continuously press SEEK- button (3) or SEEK+ button (4) to scanning the station upward or downward manually.

If the current mode is "AUTO" mode, press and hold SEEK- button (3) or SEEK+ button (4) for more than 3 seconds to obtain the automatically scanning.

SELECTING MENU

During radio operation, repeatedly press SEL button (2) to select the desired mode in the following order:



Then, rotate VOL knob (2) clockwise or anti-clockwise to select the desired level, mode or station. When mode has not been adjusted for several seconds, display returns to previous display.

RADIO OPERATION

SELECTING MENU

When EQ mode is selected, rotate VOL knob (2) clockwise or anti-clockwise to move display as following:



Note: After selected the desired mode, adjust the current level by rotate VOL knob (2) clockwise or anti-clockwise. When mode has not been adjusted for several seconds, display returns to previous display. During EQ function is on, Bass & Treble modes do not available.

CD OPERATION

DISC SLOT

Press Release button (7) first, the front panel will be folded down, then gently insert a compact disc with the label side facing up into the disc slot (13). The disc is then automatically loaded into the unit and starts playing with the first track of the disc. The digital display will indicate the track number and the playing time of the track.

EJECT THE DISC

Press Release button (7) first, the front panel will be folded down, then press (Eject) button (15) to stop playing and eject disc from the slot (13). Receiver switches to radio operation automatically.

DISC LAMP

If the front panel does not install in the main unit, the disc lamp (14) will be flashing.

TRACK SELECTION

During disc operation, press SEEK- button (3) or SEEK+ button (4) to move to the previous or next track. Track number shows on the display.

FAST FORWARD AND REVERSE

Press and hold SEEK- button (3) or SEEK+ button (4) for several seconds to fast reverse or fast forward. Disc start play when you release the button.

PAUSE PLAYING

Press and hold ►|| (Pause/Play) button (2) to pause track playback. "PAUSE" blinking on the LCD. press and hold it again to resume playback.

CD-R/CD-RW COMPATIBILITY

Some CD-Rs and CD-RWs may be incompatible with this unit depending on media type and recording method. In addition, the following CDs may be incompatible with this unit.

CDs exposed to extreme high temperatures or direct sunlight for extended periods of time. CDs recorded in which recording sessions failed or re-recording was attempted and, or encrypted or copy-protected Ds which do not conform to the audio CD-DA red book recording standard.

Note: CD standard size: diameter: 12cm , thickness:1.2mm